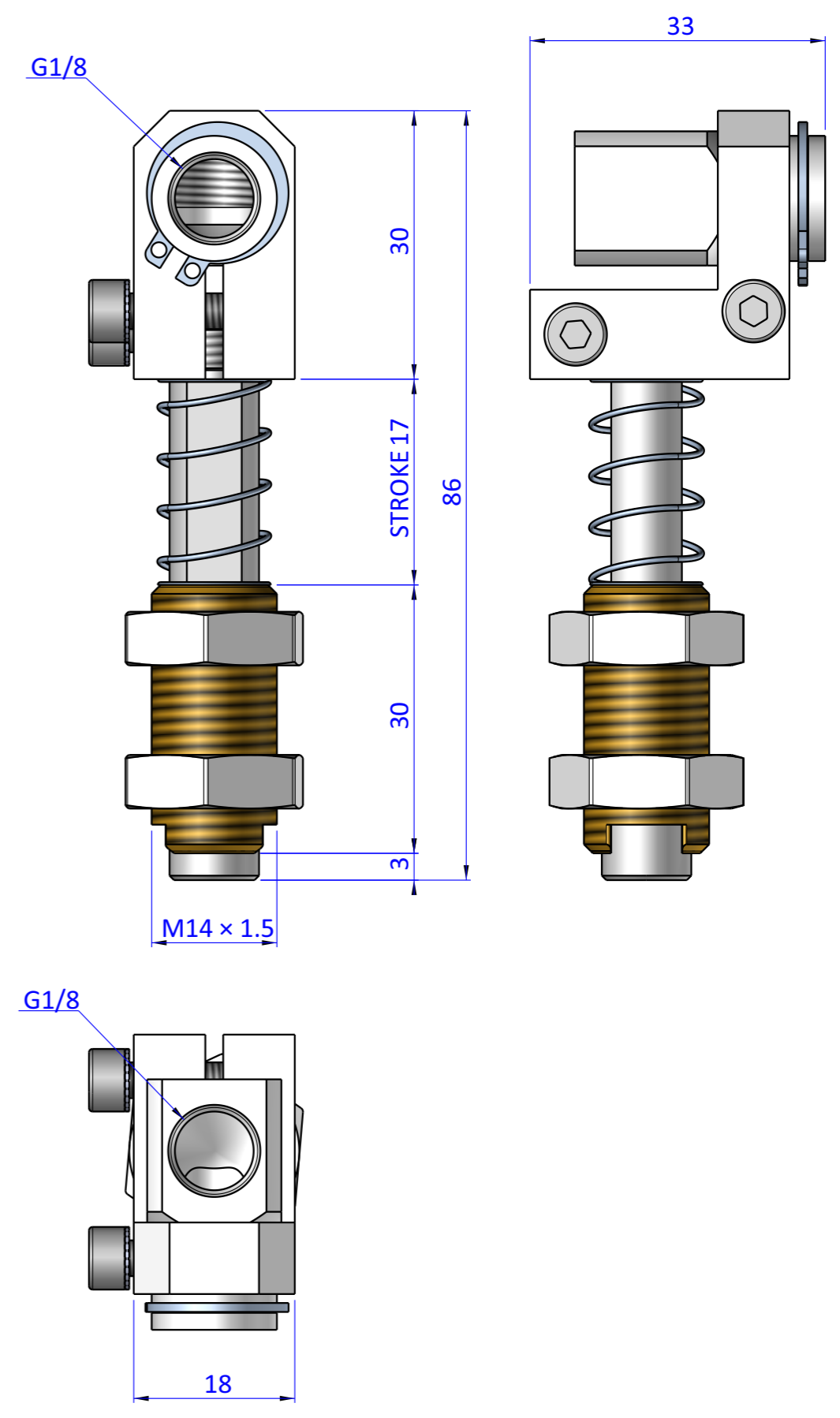
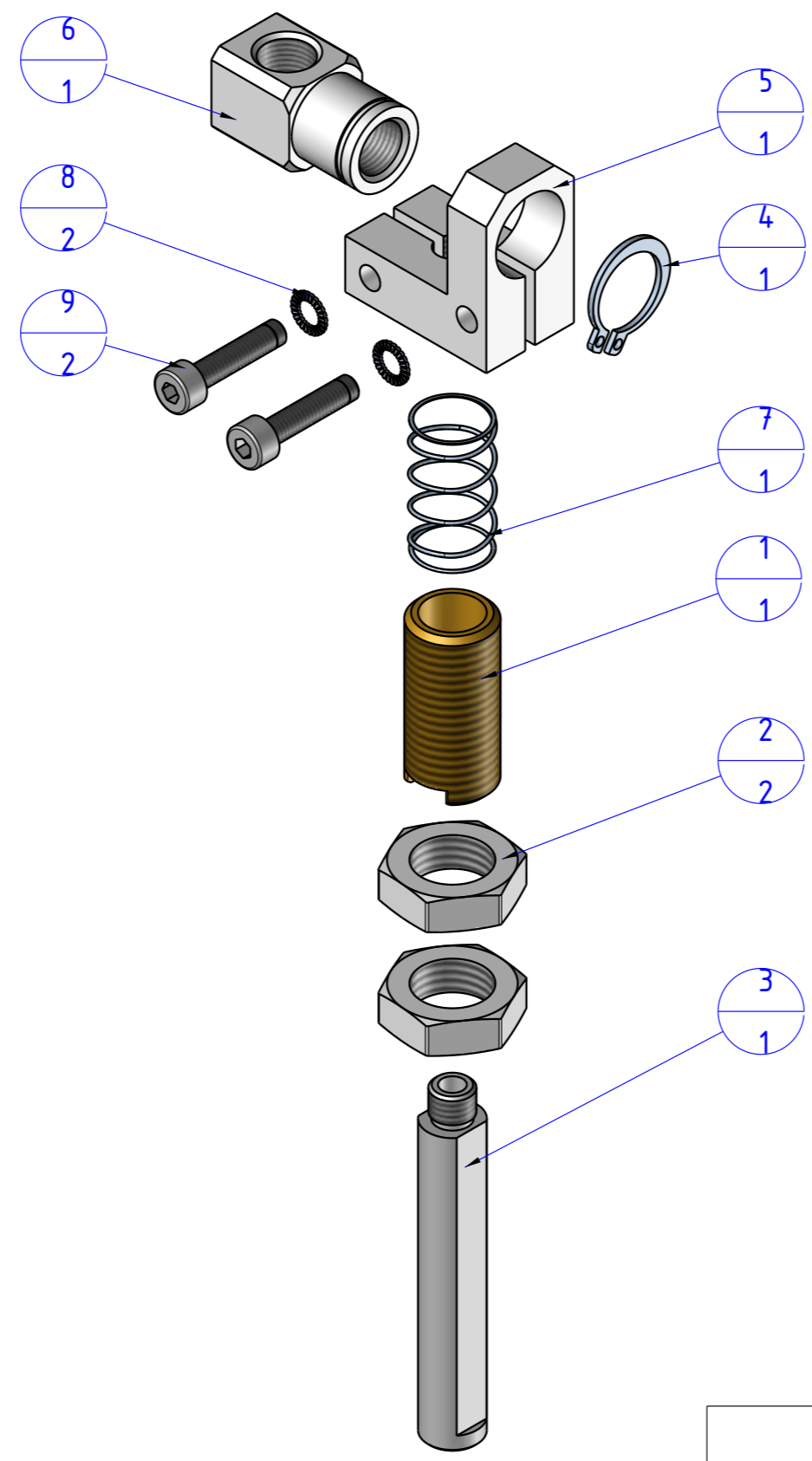



THE PROPERTY OF THE DRAWING IS ESTABLISHED BY LAW. IT IS FORBIDDEN TO PRODUCE OR SHOW IT TO THIRD PART. WITHOUT A WRITTEN AGREEMENT.

Item	Name	Q.ty
1	05.01.001.02	1
2	05.01.001.06	2
3	05.01.001.07	1
4	A.ELA14	1
5	GG.S.01.02	1
6	GG.S.02.02	1
7	M.12x25	1
8	R.4.SCH	2
9	V.TCE4x18	2



Format A3
UNI 936-76

 FPS FPSERVICES AUTOMATION		DESIGNED FROM		REVIEW
		FPS Automation		A
GENERAL TOLERANCE		DATE		WEIGHT
UNI - ISO 2768		03/03/2021		0,079kg
CLASSE f		CODE		
		CA.GGSM141815		CA.GGSM141815